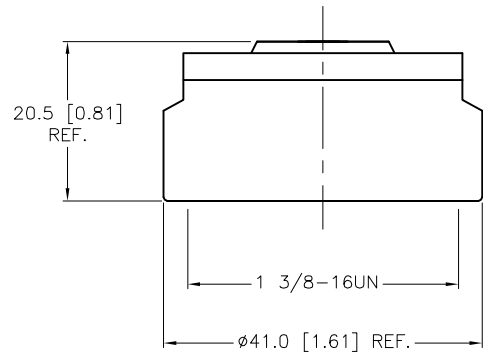
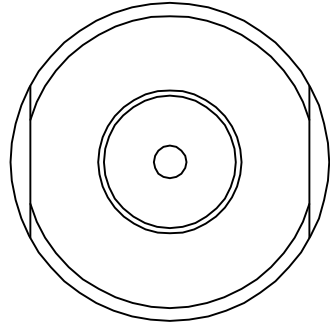

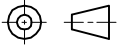


SPECIFICATIONS

CAP MATERIAL/FINISH	STAINLESS STEEL/PASSIVATED
GASKET MATERIAL	NITRILE (BUNA-N)



SOURCE DRAWING - FOR REFERENCE ONLY

RELATED DOCUMENTS		3RD ANGLE PROJECTION		THIS DRAWING IS CONFIDENTIAL AND THE PROPERTY OF TURCK INC. USE OF THIS DOCUMENT WITHOUT WRITTEN PERMISSION IS PROHIBITED.		 3000 CAMPUS DRIVE MINNEAPOLIS, MN 55441 1-800-544-7769 (763) 553-7300 (763) 553-0708 fax www.turck.us		
1. 2. 3. 4.				DRFT	RDS	DATE	08/03/09	DESCRIPTION GKDV-MC
MATERIAL SEE SPECIFICATIONS		ALL DIMENSIONS DISPLAYED ON THIS DRAWING ARE FOR REFERENCE ONLY		APVD		SCALE	1=1.0	
FINISH SEE SPECIFICATIONS		CONTACT TURCK FOR MORE INFORMATION		UNIT OF MEASUREMENT MILLIMETER [INCH]			IDENTIFICATION NO. U2-16197	
B REMOVE SCREW		TR	04/28/23	500000008172		REV B		DO NOT SCALE THIS DRAWING
REV	DESCRIPTION	BY	DATE	ECO NO.		FILE: U2-16197		SHEET 1 OF 1

B	REMOVE SCREW	TR	04/28/23	500000008172	
REV	DESCRIPTION	BY	DATE	ECO NO.	